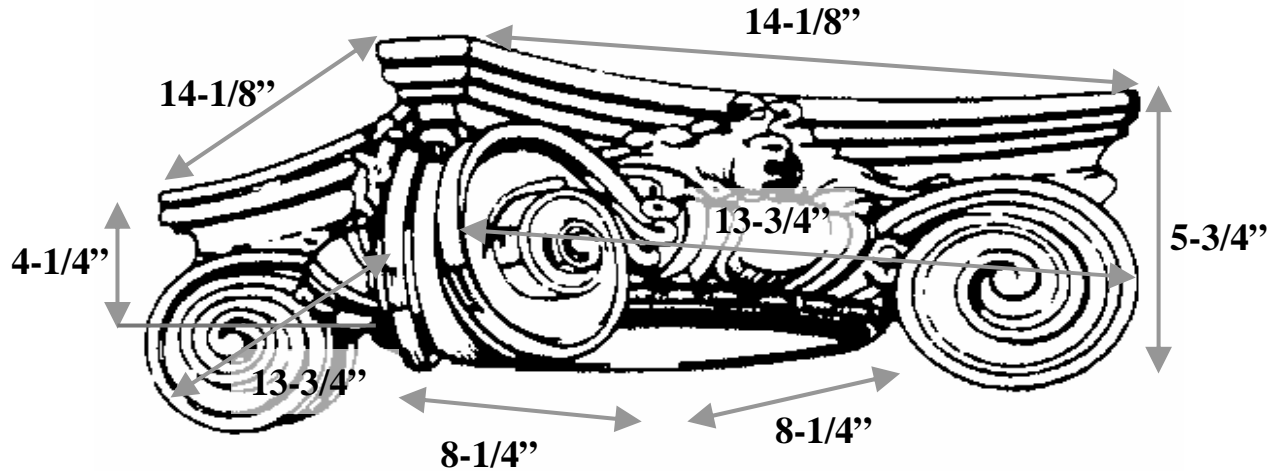


Decorative Capitals For Square Columns

Marble Fiberglass Reinforced Polymer Composite Product Manufactured By Timeless Architectural Reproductions, Inc.™

8" Square Scamozzi



Item #	SS08-102
Material	Resin and marble composite
Load Bearing	Yes
Product Weight	19 lbs
Shipping Weight	25 lbs
Base	8-1/4" x 8-1/4"
Inside Ring	2-1/2" (ring not shown)
Outside Ring	3-1/2"
Capital Height	4-1/4"
Abacus	14-1/8" x 14-1/8"
Scroll to Scroll	13-3/4" x 13-3/4"
Scroll Height	5-3/4"



TIMELESS ARCHITECTURAL REPRODUCTIONS, INC.™

Designers & Manufacturers of Classic Architectural Products

2655 Northgate Avenue
Cumming, GA 30041
(770) 205-1446 • (800) 665-4341 Office
(770) 205-1447 Fax
www.TimelessArchitectural.com

