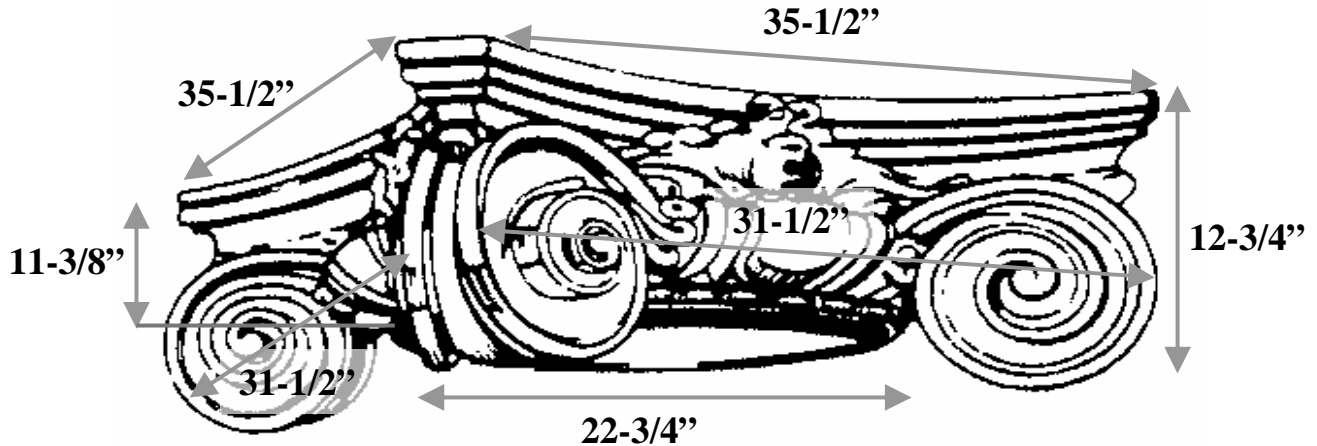


Decorative Capitals For Round Columns

Marble Fiberglass Reinforced Polymer Composite Product Manufactured By Timeless Architectural Reproductions, Inc.™

24"-26" Scamozzi



Item #	S24-45
Material	Resin and marble composite
Load Bearing	Yes
Product Weight	204 lbs
Shipping Weight	275 lbs
Base	22-3/4"
Inside Base	18"
Capital Height	11-3/8"
Abacus	35-1/2" x 35-1/2"
Scroll to Scroll	31-1/2" x 31-1/2"
Scroll Height	12-3/4"



TIMELESS ARCHITECTURAL REPRODUCTIONS, INC.™

Designers & Manufacturers of Classic Architectural Products

2655 Northgate Avenue
Cumming, GA 30041
(770) 205-1446 • (800) 665-4341 Office
(770) 205-1447 Fax
www.TimelessArchitectural.com

