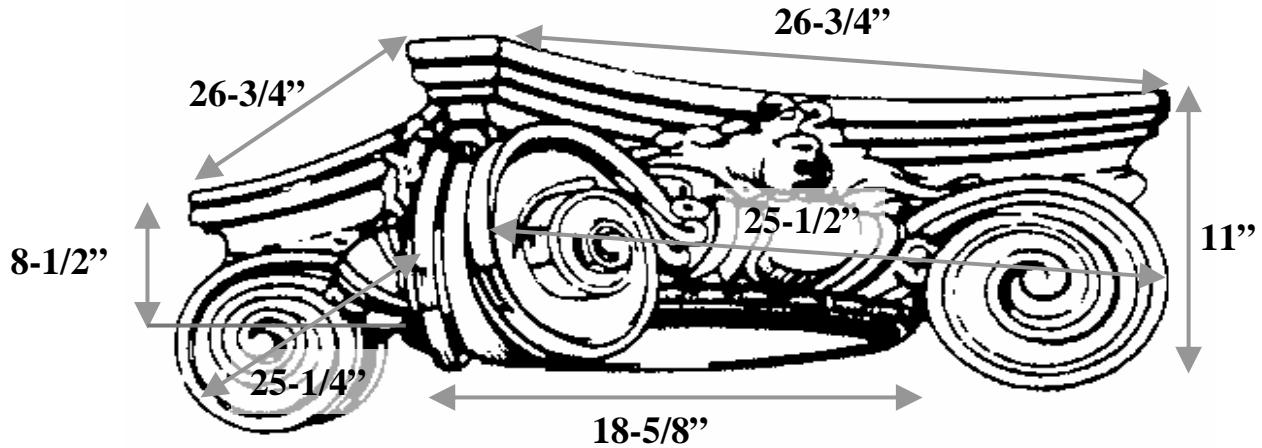


# Decorative Capitals For Round Columns

Marble Fiberglass Reinforced Polymer Composite Product Manufactured By Timeless Architectural Reproductions, Inc.™

## 20" Scamozzi



Item #	S20-86
Material	Resin and marble composite
Load Bearing	Yes
Product Weight	134 lbs
Shipping Weight	140 lbs
Base	18-5/8"
Inside Ring	12-3/8" (ring not shown)
Outside Ring	14-1/2"
Capital Height	8-1/2"
Abacus	26-3/4" x 26-3/4"
Scroll to Scroll	25-1/2" x 25-1/4"
Scroll Height	11"



TIMELESS ARCHITECTURAL REPRODUCTIONS, INC.™

*Designers & Manufacturers of Classic Architectural Products*

2655 Northgate Avenue  
Cumming, GA 30041  
(770) 205-1446 • (800) 665-4341 Office  
(770) 205-1447 Fax  
[www.TimelessArchitectural.com](http://www.TimelessArchitectural.com)

