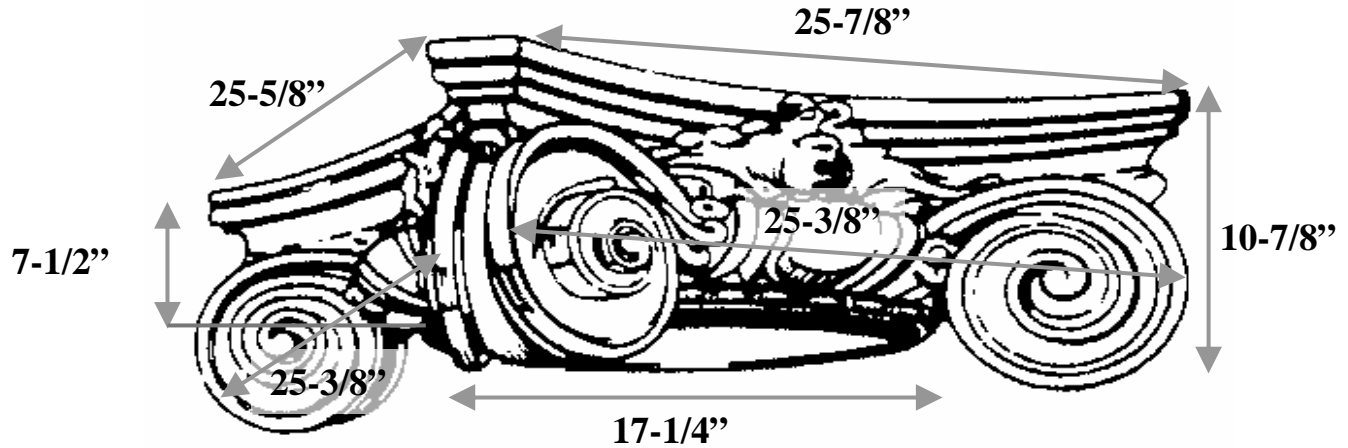


Decorative Capitals For Round Columns

Marble Fiberglass Reinforced Polymer Composite Product Manufactured By Timeless Architectural Reproductions, Inc.™

18" Scamozzi



Item #	S18-57
Material	Resin and marble composite
Load Bearing	Yes
Product Weight	134 lbs
Shipping Weight	150 lbs
Base	17-1/4"
Inside Ring	11-3/8" (ring not shown)
Outside Ring	13-1/2"
Capital Height	7-1/2"
Abacus	25-7/8" x 25-5/8"
Scroll to Scroll	25-3/8" x 25-3/8"
Scroll Height	10-7/8"



TIMELESS ARCHITECTURAL REPRODUCTIONS, INC.™

Designers & Manufacturers of Classic Architectural Products

2655 Northgate Avenue
Cumming, GA 30041
(770) 205-1446 • (800) 665-4341 Office
(770) 205-1447 Fax
www.TimelessArchitectural.com

