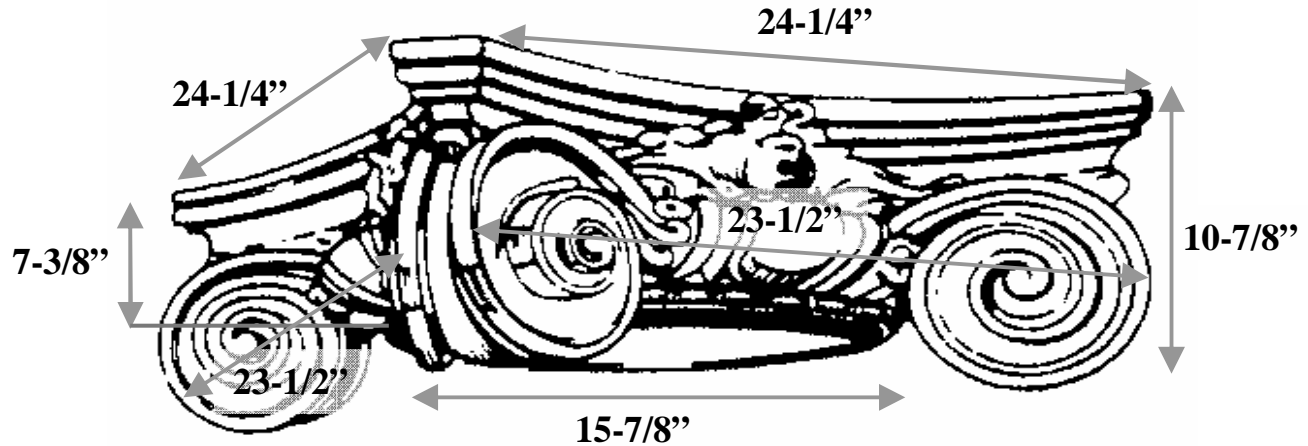


Decorative Capitals For Round Columns

Marble Fiberglass Reinforced Polymer Composite Product Manufactured By Timeless Architectural Reproductions, Inc.™

18" Scamozzi



Item #	S18-35
Material	Resin and marble composite
Load Bearing	Yes
Product Weight	119 lbs
Shipping Weight	130 lbs
Base	15-7/8"
Inside Ring	9-1/2" (ring not shown)
Outside Ring	12"
Capital Height	7-3/8"
Abacus	24-1/4" x 24-1/4"
Scroll to Scroll	23-1/2" x 23-1/2"
Scroll Height	10-7/8"



TIMELESS ARCHITECTURAL REPRODUCTIONS, INC.™

Designers & Manufacturers of Classic Architectural Products

2655 Northgate Avenue
Cumming, GA 30041
(770) 205-1446 • (800) 665-4341 Office
(770) 205-1447 Fax
www.TimelessArchitectural.com

