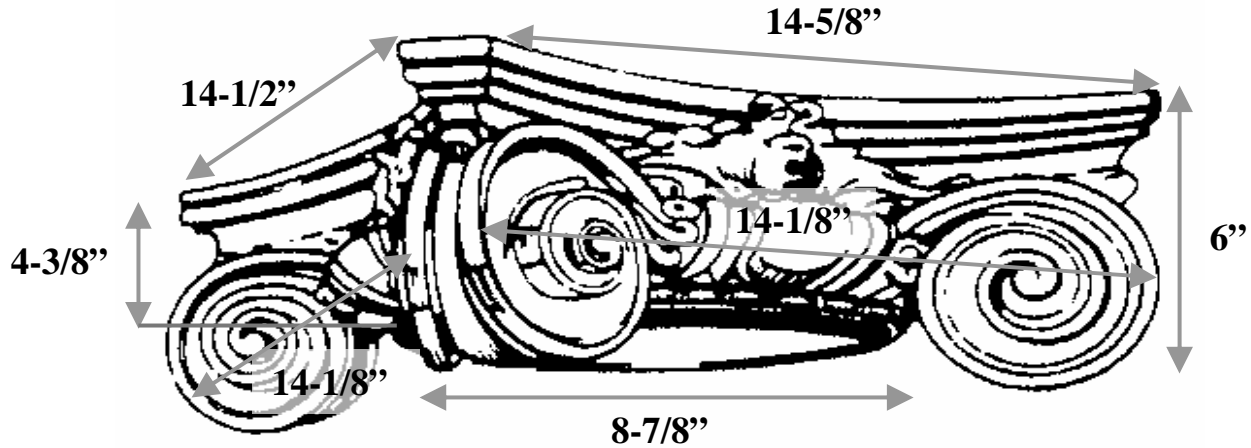


Decorative Capitals For Round Columns

Marble Fiberglass Reinforced Polymer Composite Product Manufactured By Timeless Architectural Reproductions, Inc.™

10" Scamozzi



Item #	S10-33
Material	Resin and marble composite
Load Bearing	Yes
Product Weight	20 lbs
Shipping Weight	24 lbs
Base	8-7/8"
Inside Ring	5-1/4" (ring not shown)
Outside Ring	7-1/8"
Capital Height	4-3/8"
Abacus	14-5/8" x 14-1/2"
Scroll to Scroll	14-1/8" x 14-1/8"
Scroll Height	6"



TIMELESS ARCHITECTURAL REPRODUCTIONS, INC.™

Designers & Manufacturers of Classic Architectural Products

2655 Northgate Avenue
Cumming, GA 30041
(770) 205-1446 • (800) 665-4341 Office
(770) 205-1447 Fax
www.TimelessArchitectural.com

