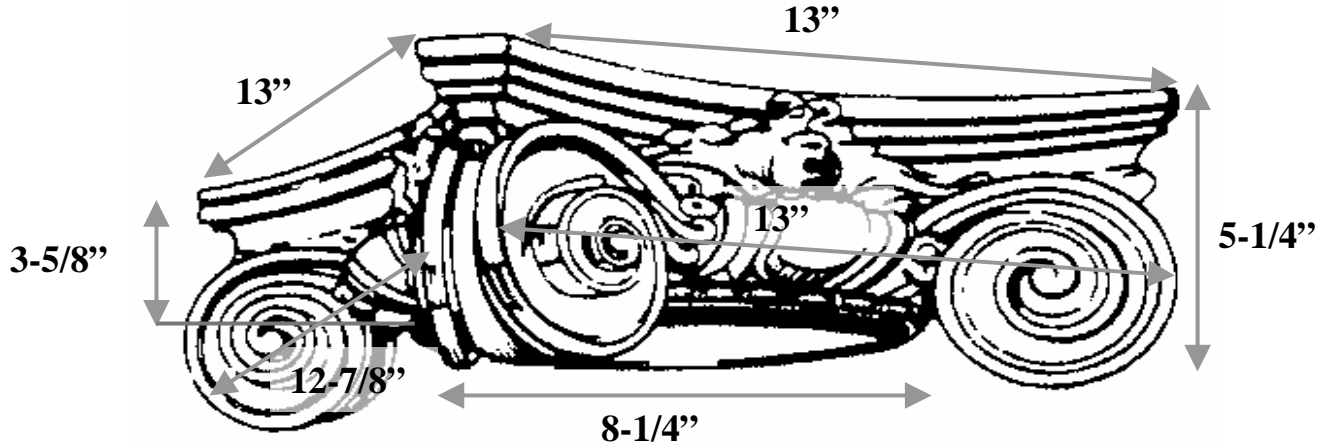


# Decorative Capitals For Round Columns

Marble Fiberglass Reinforced Polymer Composite Product Manufactured By Timeless Architectural Reproductions, Inc.™

## 10" Scamozzi



Item #	S10-24
Material	Resin and marble composite
Load Bearing	Yes
Product Weight	14 lbs
Shipping Weight	22 lbs
Base	8-1/4"
Inside Ring	5-3/4" (ring not shown)
Outside Ring	5-3/8"
Capital Height	3-5/8"
Abacus	13" x 13"
Scroll to Scroll	13" x 12-7/8"
Scroll Height	5-1/4"



TIMELESS ARCHITECTURAL REPRODUCTIONS, INC.™

*Designers & Manufacturers of Classic Architectural Products*

2655 Northgate Avenue  
Cumming, GA 30041  
(770) 205-1446 • (800) 665-4341 Office  
(770) 205-1447 Fax  
[www.TimelessArchitectural.com](http://www.TimelessArchitectural.com)

