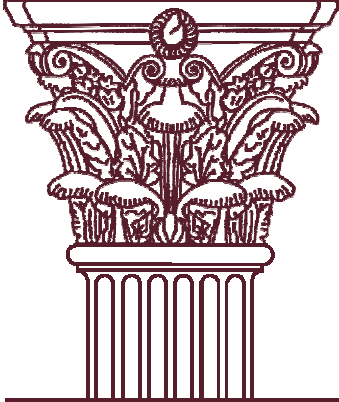


A Timeless
Product
Specification
Publication

Timeless

The Savannah Collection



The Savannah Collection

Installations

Porches
Decks
Balconies
Porte-Cochers
Rooftops

Applications

Straight
Radius
Stairs

*Balustrade Systems
can be installed to*

Brick
Stone
Concrete
Wood
Composite Decking
Columns
Any Siding

Residential Applications

PRODUCT SPECIFICATIONS	4" Sphere Code ¹ Spacing	Common Spacing ² [non-code]
Rail System Height ³	36-3/8"	36-3/8"
Spacing	2-5/8"	3-1/8"
Spacing on Center	6"	6-1/2"
Balusters Needed per Linear Foot [LF]	2	1.8
Weight LF Baluster, Rail & Hardware	45 lbs.	42 lbs.
Weight Baluster	15.9 lbs.	15.9 lbs.
Weight Extended Baluster	16.5 lbs.	16.5 lbs.
Weight LFTop Rail (RT201)	6 lbs.	6 lbs.
Weight LF Bottom Rail (RB205)	7 lbs.	7 lbs.

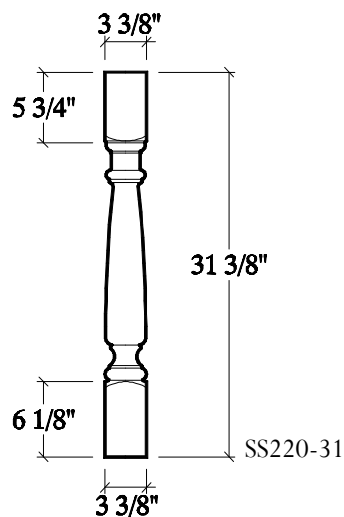
¹ 4" Sphere Code spacing requires that a 4" ball cannot fit through any spacing between balusters.

² Common [non-code] spacing can be used in non-access applications or when spacing codes are not required.

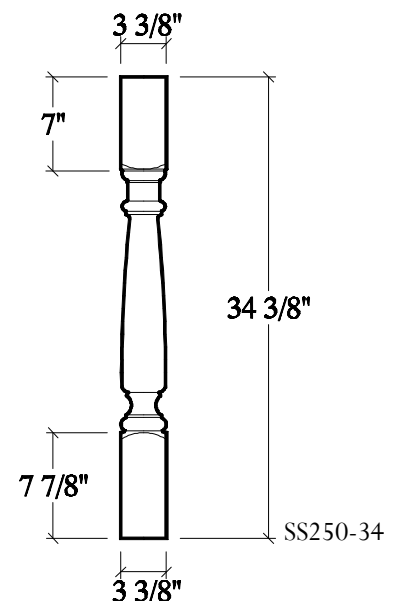
³ Building codes for residential installations of balusters are typically specified at 36" in height.

BALUSTERS

Straight Applications



Straight or Stair Applications



❧ The Savannah Residential Collection ❧

CODE & HEIGHT CONSIDERATIONS

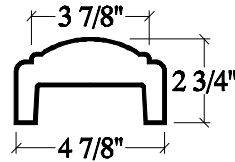
In some locales the Residential Building Code may require a balustrade height of greater than 36". In these instances the Extended height balusters and Newel Posts may be necessary.

It is the customer's responsibility to determine and meet all applicable building codes.

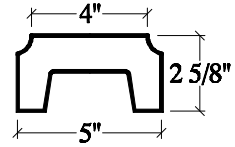


RAILINGS

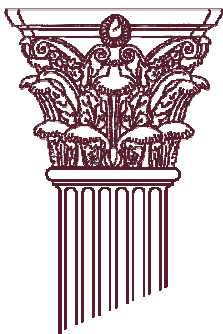
Spindle Baluster Railing



RT201
Top Rail



RT205
Bottom Rail



Timeless Architectural Reproductions, Inc.™

Designers & Manufacturers of Classic Architectural Products
2655 Northgate Avenue ♦ Cumming, Georgia 30041

Toll Free 800.665.4341 Phone 770.205.1446
Fax 770.205.1447

For more information about Timeless products, visit our web site

www.TimelessArchitectural.com

