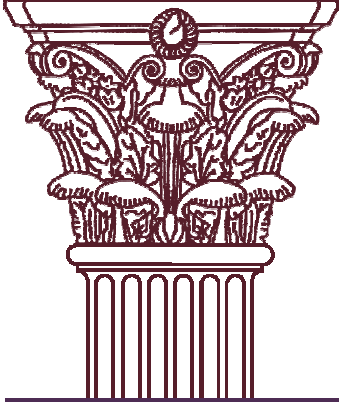


A Timeless
Product
Specification
Publication

Timeless

The Savannah Collection



The Savannah Collection

Installations

Porches
Decks
Balconies
Porticos
Rooftops

Applications

Straight
Radius
Stairs

*Balustrade Systems
can be installed to*

Brick
Stone
Concrete
Wood
Composite Decking
Columns
Any Siding

Commercial Applications

PRODUCT SPECIFICATIONS	4" Sphere Code ¹ Spacing	Common Spacing ² [non-code]
Rail System Height ³	43-1/2"	43-1/2"
Spacing	2-5/8"	3-1/8"
Spacing on Center	6"	6-1/2"
Balusters Needed per Linear Foot [LF]	2	1.8
Weight LF Baluster, Rail & Hardware	51 lbs.	47 lbs.
Weight Baluster	19 lbs.	19 lbs.
Weight LFTop Rail (RT201)	6 lbs.	6 lbs.
Weight LF Bottom Rail (RB205)	7 lbs.	7 lbs.

Customers are responsible for local code adherence.

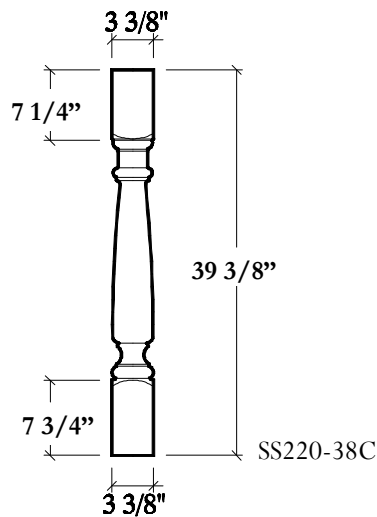
¹ 4" Sphere Code spacing requires that a 4" ball cannot fit through any spacing between balusters.

² Common [non-code] spacing can be used in non-access applications or when spacing codes are not required.

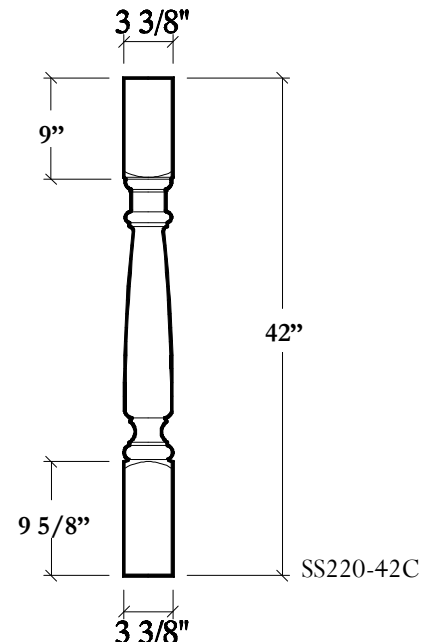
³ Building codes for residential installations of balusters are typically specified at 36" in height.

BALUSTERS

Straight Applications



Straight or Stair Applications



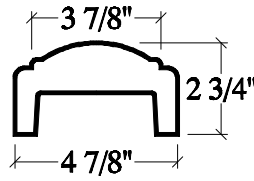
⌘ The Savannah Commercial Collection ⌘

CODE & HEIGHT CONSIDERATIONS

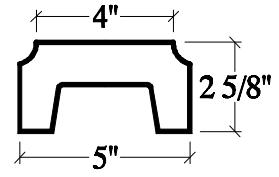
Commercial Building Codes may be different in some locales. In these instances the Extended Savannah Commercial height balusters and Newel Posts may be necessary.

It is the customer's responsibility to determine and meet all applicable building codes.

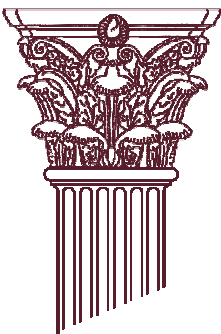
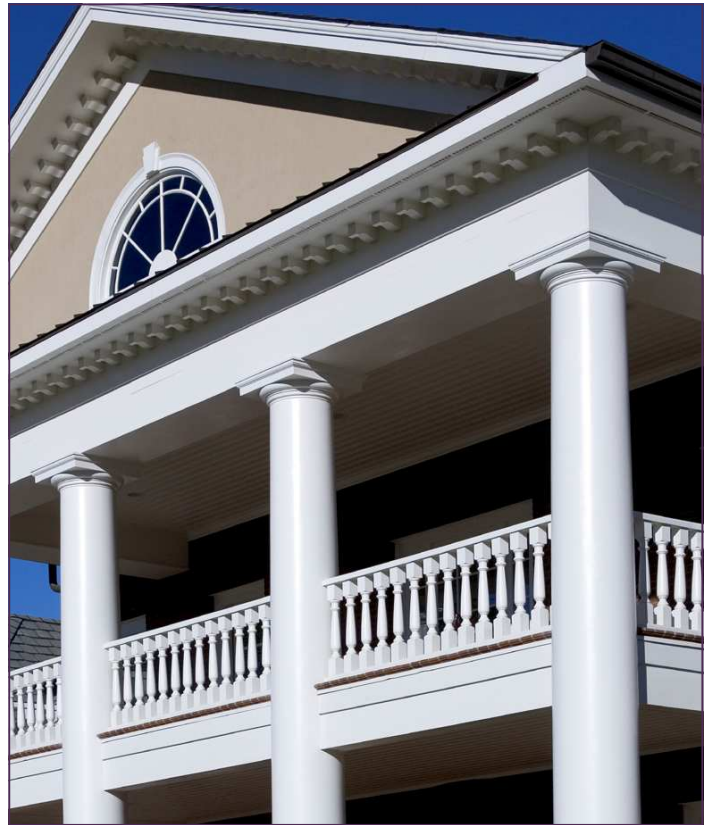
RAILINGS



RT201
Top Rail



RT205
Bottom Rail



Timeless Architectural Reproductions, Inc.®

Designers & Manufacturers of Classic Architectural Products
2655 Northgate Avenue ♦ Cumming, Georgia 30041

Toll Free 800.665.4341 Phone 770.205.1446
Fax 770.205.1447

For more information about Timeless products, visit our web site

www.TimelessArchitectural.com

